



CATIA PLM Express

CATIA - Knowledge Advisor

Enables design engineers to embed knowledge within the design and leverage it to reduce errors and automate design for maximum productivity

Overview

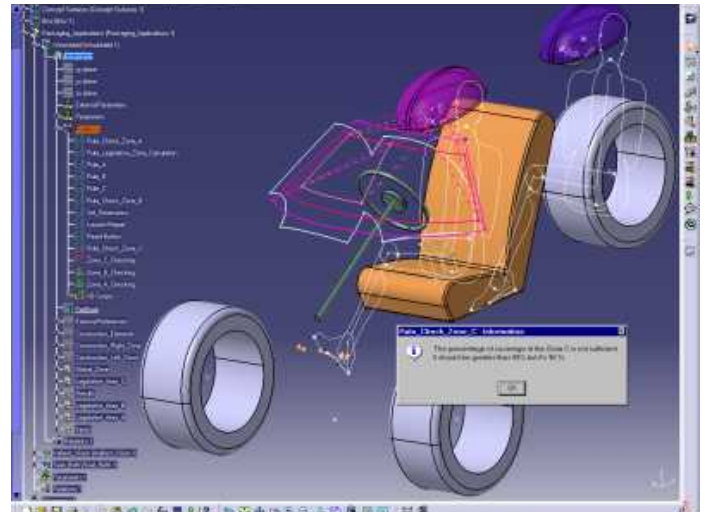
CATIA - Knowledge Advisor allows designers and design engineers to capture their know-how and re-use it as best practices. Users can embed knowledge into their design through formulas, rules, reactions and checks. By accelerating the exploration of design alternatives with regard to rules, users makes better decisions and reach optimal, error-free designs quickly.

Benefits

- Accelerates exploration of design alternatives to speed up design process and allocate more time for innovation
- Captures engineering knowledge of best practices
- Increases quality of designs by embedding corporate standards in design rules
- Captures and reuses the most important asset - the intellectual capital

Capabilities

- Defines product requirements
- Drives design changes through rules and verifications
- Creates conditional geometries
- Creates reactive designs
- Defines and solves set of equations



Visit us at www.3ds.com/my-catia-plm-express

Dassault Systèmes (Head Office)

9, quai Marcel Dassault - BP 310
92156 Suresnes Cedex - FRANCE
Tel: 33 (0)1 40 99 40 99

Dassault Systèmes of America

6320 Canoga Avenue
Trillium East Tower
Woodland Hills,
CA 91367-2526 - USA
Tel : 1 818 999 2500

Dassault Systèmes

Pier City Shibaura Bldg 10F
3-18-1 Kaigan, Minato-Ku
Tokyo 108-0022 - JAPAN
Tel : 81 3 5442 4011

About Dassault Systèmes

As a world leader in 3D and Product Lifecycle Management (PLM) solutions, Dassault Systèmes brings value to more than 90,000 customers in 80 countries. A pioneer in the 3D software market since 1981, Dassault Systèmes develops and markets PLM application software and services that support industrial processes and provide a 3D vision of the entire lifecycle of products from conception to maintenance. The Dassault Systèmes portfolio consists of CATIA for designing the virtual product - SolidWorks for 3D mechanical design - DELMIA for virtual production - SIMULIA for virtual testing and ENOVIA for global collaborative lifecycle management, including ENOVIA VPLM, ENOVIA MatrixOne and ENOVIA SmarTeam. Dassault Systèmes is listed on the Nasdaq (DASTY) and Euronext Paris (#13065, DSY.PA) stock exchanges. For more information, visit <http://www.3ds.com>

CATIA, DELMIA, ENOVIA, SIMULIA and SolidWorks are registered trademarks of Dassault Systèmes or its subsidiaries in the US and/or other countries. Copyright Dassault Systèmes 2002, 2006. All rights reserved. IGRIP®, QUEST®, IGRIP®, ULTRAARC®, ULTRAPAINTE®, ULTRASPOT®, VIRTUAL NC® are registered in the US Patent and Trade Mark Office by DELMIA Corp. INSPECTTM is owned by DELMIA Corp.



TECMES

MAIS INFORMAÇÕES:

Para obter mais informações sobre produtos e soluções PLM, acesse: www.tecmes.com.br
Avenida Jabaquara, 2940 - 2º andar
Planalto Paulista - São Paulo - SP - CEP 04046-500
Telefones +55 11 2197-1000 / Fax: +55 11 2197-1007