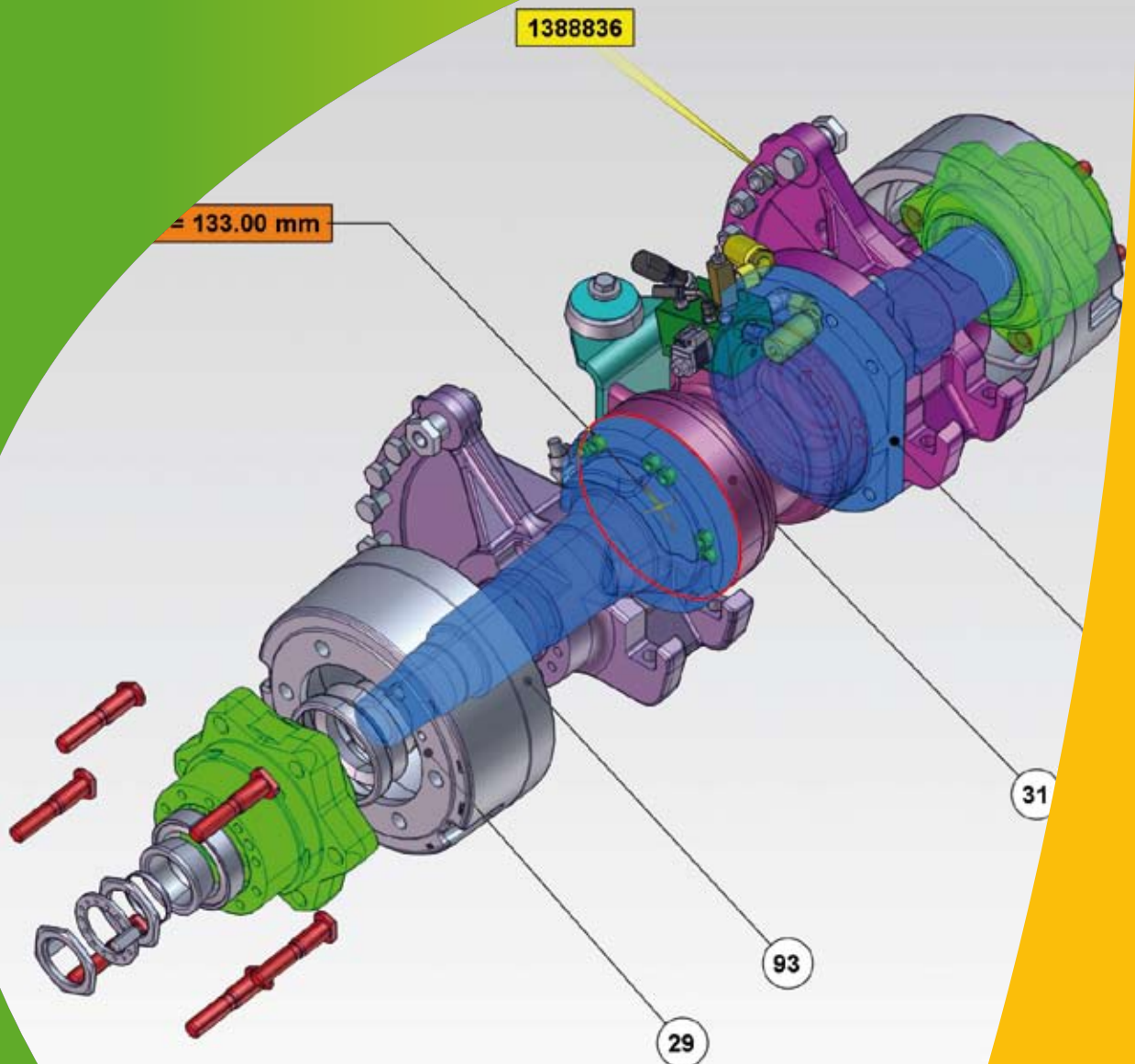




REVOLUTIONIZE PRODUCT PUBLISHING WITH 3DVIA COMPOSER





3DVIA Composer delivers product information everywhere

3DVIA Composer revolutionizes the product documentation process for enterprises of all sizes.

With its easy-to-use, desktop content-creation system, 3DVIA Composer quickly and easily automates creation of assembly and disassembly procedures, technical illustrations, interactive 3D animations, training materials, marketing materials, sales tools and more.

Based on a lightweight, open, XML-based architecture, 3DVIA Composer allows non-technical users to create associative 2D and 3D product deliverables directly from digital product data. End users can seamlessly incorporate bills-of-material (BOM) data in their output deliverables.

3DVIA Composer support users in sales, marketing, customer service, training, support and manufacturing.

Immediate productivity with long term value

3DVIA Composer is desktop-based in order to deliver immediate end-user productivity.

An ideal complement to the content-creation tools end-users are already familiar with, such as Microsoft® Office® applications, HTML and PDF, 3DVIA Composer is easy to learn and use.

For content consumers, 3DVIA Composer eliminates the need to learn a new desktop tool to access accurate and up-to-date deliverables.

3DVIA Composer ties desktop and enterprise systems together for both content consumers and content creators. Because it is an XML-based architecture, 3DVIA Composer can be easily integrated with any enterprise information system, including product lifecycle management (PLM) and enterprise resource planning (ERP) applications.

3DVIA Composer can be quickly and easily deployed on users' desktops without the need for expensive back-end infrastructures. Or, 3DVIA Composer can be easily integrated with PLM and ERP systems and deployed to end users' desktops. 3DVIA Composer is the only system that delivers immediate return on investment while simultaneously being a valuable long-term integration platform that ensures consistency and accuracy across documentation processes.

A complete system for maximum productivity

3DVIA Composer is a desktop application for revolutionizing the creation of product deliverables.

3DVIA Composer provides a single, easy to learn and use application designed for end users. 3DVIA Composer does not require CAD knowledge or training. Intelligent views permit complex product procedures to be effectively communicated using a minimum of text. Views can be annotated and labeled in any way and format the user wishes. In addition, 3DVIA Composer permits the creation of styles which can be applied to any content to ensure visual consistency.

Animations including kinematics and reverse-kinematics, as well as high-resolution raster images including BMP, JPG, PNG, and TIF files, can be created easily. Producing 2D line art as SVG and CGM files is quick and easy with 3DVIA Composer's built-in technical illustration capabilities.

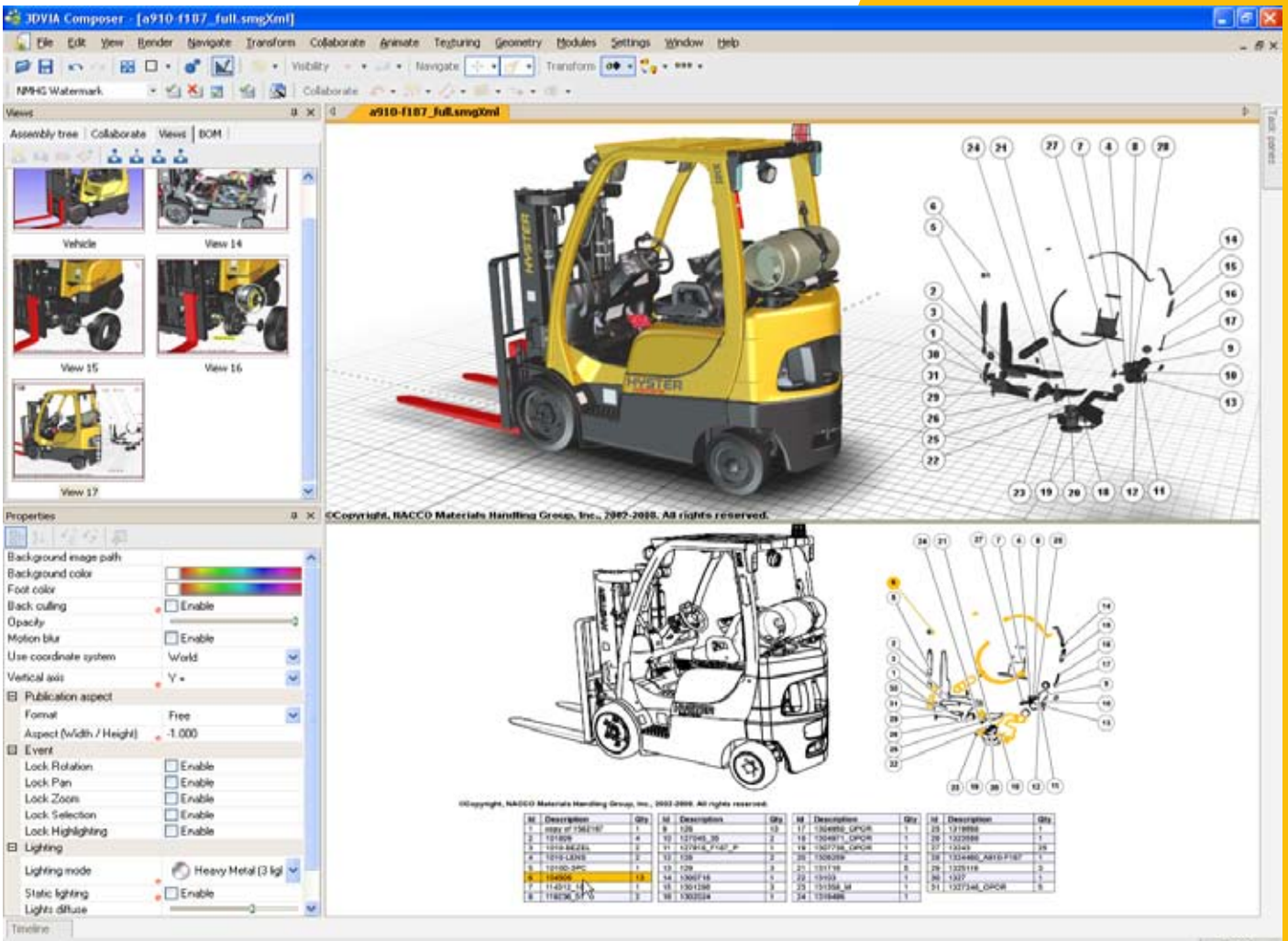
3DVIA Player, a free utility, allows content creators to distribute 3DVIA Composer content to any end-user with the same high performance as 3DVIA Composer. Much more than a simple viewer, 3DVIA Player offers content consumers a highly interactive experience with product deliverables.

3DVIA Safe allows users to control and manage access to their intellectual property in 3DVIA Composer-generated deliverables. With 3DVIA Safe, content creators can manage access control when playing content with 3DVIA Player and may also use patented technology to prevent copying or theft of the intellectual property.

3DVIA Sync and 3DVIA Sync Integration deliver sophisticated, XML-based associativity among 3DVIA Composer and any number of enterprise systems.

With 3DVIA Sync, changes in metadata, geometry, BOMs or manufacturing information can be updated on the desktop in 3DVIA Composer deliverables, guaranteeing accurate and consistent information. 3DVIA Sync Integration adds the ability to automatically regenerate deliverables created by 3DVIA Composer when the underlying product data changes.

3DVIA Check and 3DVIA Path Planning make product deliverables more useful and instructive by validating that the procedures can actually be performed in the real world. 3DVIA Check offers dynamic and static clash detection, allowing users to quickly qualify service and assembly procedures. 3DVIA Path Planning delivers the ability to automatically create assembly and disassembly paths for parts and subassemblies to avoid collisions with the rest of the assembly. 3DVIA Path Planning allows content creators to plan and guarantee the ability to access components within the assembly to service or repair them.



3dvia  composer



TECMES

MAIS INFORMAÇÕES:

Para obter mais informações sobre produtos e soluções PLM, acesse: www.tecmes.com.br
Avenida Jabaquara, 2940 – 2º andar
Planalto Paulista - São Paulo – SP - CEP 04046-500
Telefones +55 11 2197-1000 / Fax: +55 11 2197-1007